



Pipe Temperature Sensors

Model TE-703 / 704



- **Four immersion thermowell installation options — brass adapter with 304SS probe for adjustable insertion, plastic, galvanized steel or NEMA-4/IP-65 steel enclosure. Four strap on surface mount installation options — rugged 304SS hermitically sealed probe, plastic, galvanized steel or NEMA-4/IP-65 contact surface temperature sensors offer the industry's most extensive range to satisfy all HVAC, appliance and industrial applications.**
- **304 SS thin wall probe with a cold rolled hermitically sealed end forms a monolithic encapsulated cavity for the sensor and is immune to failures caused by high humidity, contamination, thermal shock and vibration.**
- **More than 12 types of interchangeable NTC thermistors, precision platinum, nickel or balco RTD's are available for universal compatibility.**
- **Fast response brass contact sensor for strap on applications is insulated from the enclosure to provide accurate pipe surface temperature measurement.**

TE 703/704 temperature sensors offer the industry's most extensive range of enclosure, installation and sensor types to satisfy all HVAC, industrial and commercial applications. These revolutionary sensors incorporate more than twenty years of product development and experience drawn from millions of installations world wide in all types of applications. This product and process design combined with automated manufacturing processes yields a rugged, reliable, repeatable and stable temperature sensor at a low cost.

For large volume OEM customers, TE-703/704 temperature sensors are available in many custom configurations. Wire type, length or gage, terminals, connectors, probe lengths, enclosures options or sensor types may be customized based on volume.

 **MAMAC SYSTEMS®**

TE-703

TE-703-A Immersion Temperature Sensor Thermowell Adapter mount

Incorporate a hermitically sealed 304 SS probe and a brass adapter with a compression sleeve providing a rugged assembly for immersion temperature sensing if field adjustable insertion depth is desired. The brass adapter is screwed in to the thermowell, compression sleeve is loosened, probe inserted to desired length and the sleeve is tightened. Sensor has 6ft/1.8m plenum rated cable for remote termination. TE-703-A sensors provide a cost effective and reliable solution for hot/chilled water, condenser water or low pressure steam applications which require adjustable insertion length.



TE-703-B Immersion Temperature Sensor Polycarb enclosure

Corrosion free 30% glass filled polycarbonate enclosure designed to withstand temperature extremes, mechanical shock and vibration. 304 SS probe crimp attached to the enclosure for a low profile mating surface. Patented locking thermowell adapter, single screw cover attachment, cradle molded into the enclosure to secure the rising cage terminal block are some of the features which improve reliability and lower installation costs. TE-703-B sensors provide a cost effective and reliable solution for hot/chilled water, condenser water or low pressure steam applications.



TE-703-C Immersion Temperature Sensor Galvanized Enclosure

Industry standard NEMA-1 / IP-30 galvanized sheet metal enclosure designed for all industrial and commercial immersion temperature sensing applications. Hermitically sealed, fast response 304 SS probe crimp attached to the enclosure for a low profile mating surface. Keyed enclosure cover to swing open without removing the screws, 1/2" conduit opening, rising cage terminal block are some of the features which improve reliability and lower installation cost.



TE-703-D Immersion Temperature Sensor Powder Coated Steel Enclosure

Rugged steel enclosure with welded seams, gasketed cover and powder coated finish, rated NEAM-4 / IP-65 for harsh environments. TE-703-D has all other features including a 304 SS probe, terminal block, conduit opening similar to the TE-703-C series except designed for applications in unconditioned environments where the unit maybe subjected to dirt, condensation, oil vapor and other contaminants.



TE-704

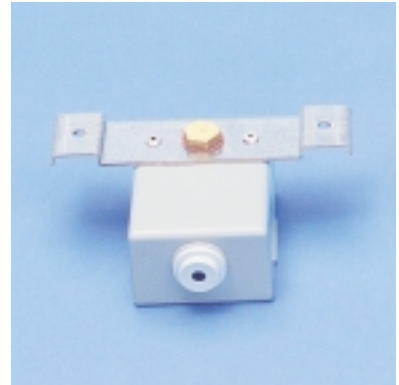
TE-704-A Surface Temperature Sensor Strap On Probe

Incorporates a 2" 304 SS probe with a 6 ft/1.8m plenum rated cable for pipe surface temperature sensing. Nylon ties are provided to secure the probe to the pipe. TE-704-A provides a cost effective and reliable solution for surface contact temperature measurement of conditioned water pipes, low pressure steam or refrigerant lines.



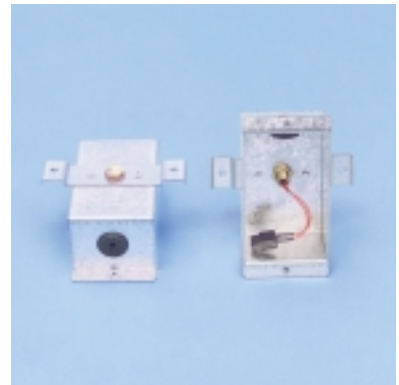
TE-704-B Surface Temperature Sensor Polycarb Enclosure

Corrosion free 30% glass filled polycarbonate enclosure designed to withstand temperature extremes, mechanical shock and vibration. Fast response brass contact sensor attached to the enclosure for a low profile mating surface, mounting bracket for pipe clamp installation, single screw cover attachment, cradle molded into the enclosure to secure the rising cage terminal block are some of the features which improve reliability and lower installation costs.



TE-704-C Surface Temperature Sensor Galvanized Enclosure

Industry standard NEMA-1 / IP-30 galvanized sheet metal enclosure designed for all industrial and commercial surface temperature sensing applications. Fast response brass contact sensor attached to the enclosure for a low profile mating surface. Keyed enclosure cover to swing open without removing the screws, 1/2" conduit opening, rising cage terminal block are some of the features which improve reliability and lower installation cost.



TE-704-D Surface Temperature Sensor Powder Coated Steel Enclosure

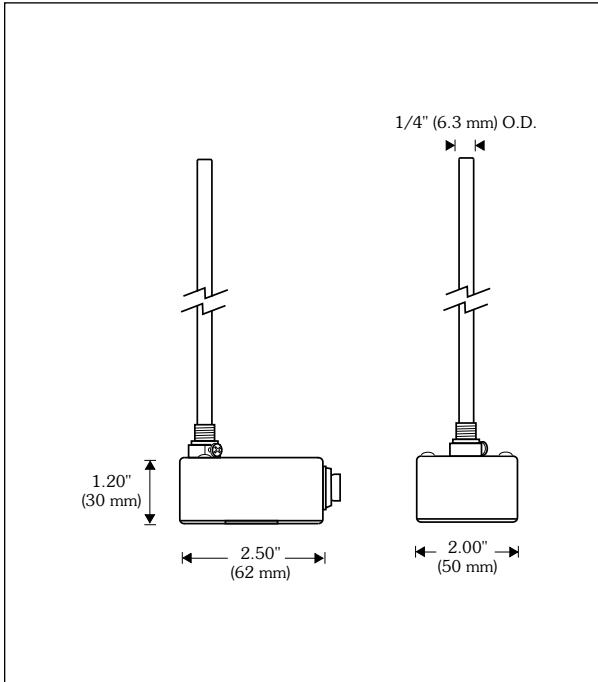
Rugged steel enclosure with welded seams, gasketed cover and powder coated finish, rated NEAM-4 / IP-65 for harsh environments. TE-704-D has all other features including a fast response brass contact sensor, terminal block, conduit opening similar to the TE-704-C series except designed for applications in unconditioned environments where the unit maybe subjected to dirt, condensation, oil vapor and other contaminants.



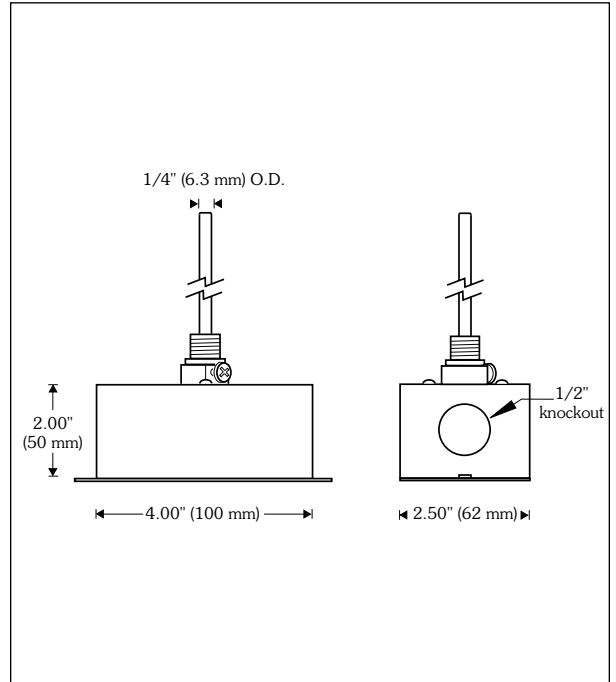
SPECIFICATIONS:

| | |
|-----------------------|---|
| Platinum RTD sensors: | +/- 0.1% @ 0 C, Alpha : 385 per DIN 43760 |
| Nickel RTD sensors: | +/- 0.5 F @ 70 F / 21.1 C, 6000 PPM/K T.C.R. |
| Balco RTD sensors: | +/- 0.5 F @ 70 F / 21.1 C, 4300 PPM/K T.C.R. |
| Thermistor sensors: | +/- 0.2 C interchangeability @ 77 F / 0 C |
| Probe Material: | 1/4" / 6.3mm O.D, 0.020" / 0.5mm wall 304 Stainless Steel |
| Flange Material: | 304 Stainless Steel |
| Bulkhead Fitting: | Brass with poly compression sleeve |
| Plastic Enclosure: | Polycarbonate 30% glass filled, rated UL 94V-5-0 |
| Steel NEMA-1 / IP-30: | 18 Ga. Galvanized Steel |
| Steel NEMA-4 / IP-65: | 18 Ga. Cold Rolled Steel, Powder coated |

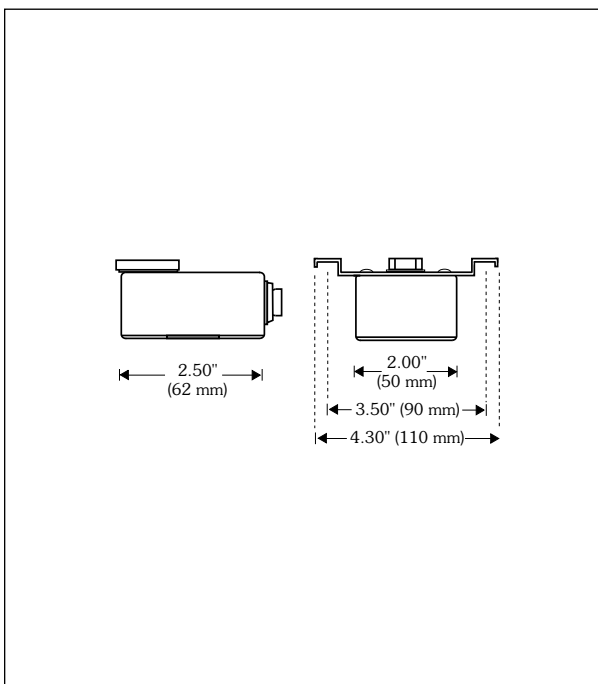
TE-703-B



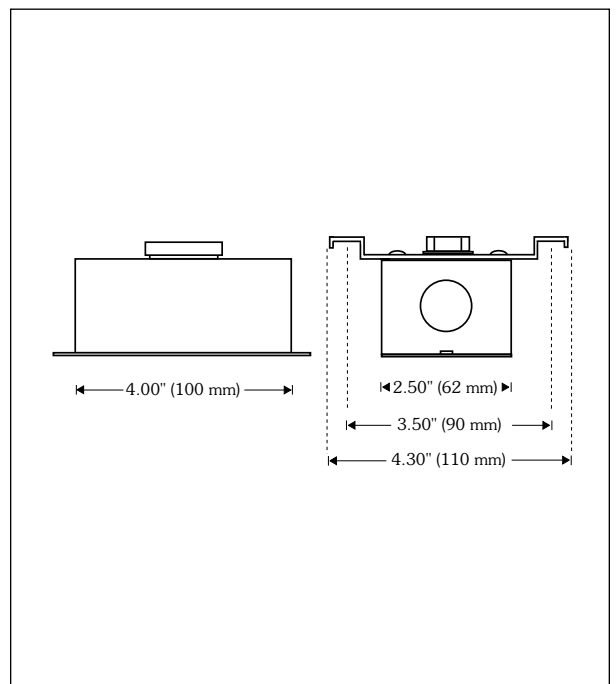
TE-703-C/D



TE-704-B



TE-704-C/D



ORDERING INFORMATION: TE-703

| Installation | | Sensor* | | Probe Length | | Adapter | |
|--------------|--------------------------|---------|------------------------|--------------|----------------|---------|----------|
| A | Immersion style | 1 | 100 ohm Platinum RTD | A | 4 inches/100mm | 1 | 1/8" NPT |
| | With adapter | 3 | 1000 ohm Platinum RTD | B | 6 inches/150mm | 2 | 1/4" NPT |
| B | Polycarb Plastic | 4 | 1000 ohm Nickel RTD | C | 8 inches/200mm | 3 | 1/2" NPT |
| | Enclosure IP-54 | 5 | 1000 ohm Balco RTD | | | | |
| C | Galvanized Steel | 7 | 10,000 ohm thermistor | | | | |
| | Enclosure NEMA-1 / IP-30 | 10 | 3,000 ohm thermistor | | | | |
| D | Painted Steel | 12 | 10,000 ohm thermistor | | | | |
| | Enclosure NEMA-4 / IP-65 | 13 | 5,000 ohm thermistor | | | | |
| | | 15 | 100,000 ohm thermistor | | | | |
| | | 17 | 20,000 ohm thermistor | | | | |
| | | 18 | 2,252 ohm thermistor | | | | |
| | | 21 | 1,800 ohm thermistor | | | | |

Example: TE-703-A-10-A-3: Immersion style with 1/2" adapter, 3000 ohm thermistor and 4 inch probe.
 Example: TE-703-D-17-C-2: NEAM-4 enclosure, 3000 ohm thermistor, 8 inch probe and 1/4" NPT brass fitting.

ORDERING INFORMATION: TE-704

| Installation | | Sensor* | |
|--------------|--------------------------|---------|------------------------|
| A | Surface Mount | 1 | 100 ohm Platinum RTD |
| | Strap-on | 3 | 1000 ohm Platinum RTD |
| B | Polycarb Plastic | 4 | 1000 ohm Nickel RTD |
| | Enclosure IP-54 | 5 | 1000 ohm Balco RTD |
| C | Galvanized Steel | 7 | 10,000 ohm thermistor |
| | Enclosure NEMA-1 / IP-30 | 10 | 3,000 ohm thermistor |
| D | Painted Steel | 12 | 10,000 ohm thermistor |
| | Enclosure NEMA-4 / IP-65 | 13 | 5,000 ohm thermistor |
| | | 15 | 100,000 ohm thermistor |
| | | 17 | 20,000 ohm thermistor |
| | | 18 | 2,252 ohm thermistor |
| | | 21 | 1,800 ohm thermistor |

Example: TE-704-C-1: NEMA-1 enclosure with 100 ohm Platinum RTD surface mount sensor.

* For sensor compatibility, please refer to TI.700-10.
 ** For a complete Resistance vs Temperature tables, please refer to TI.700-11.